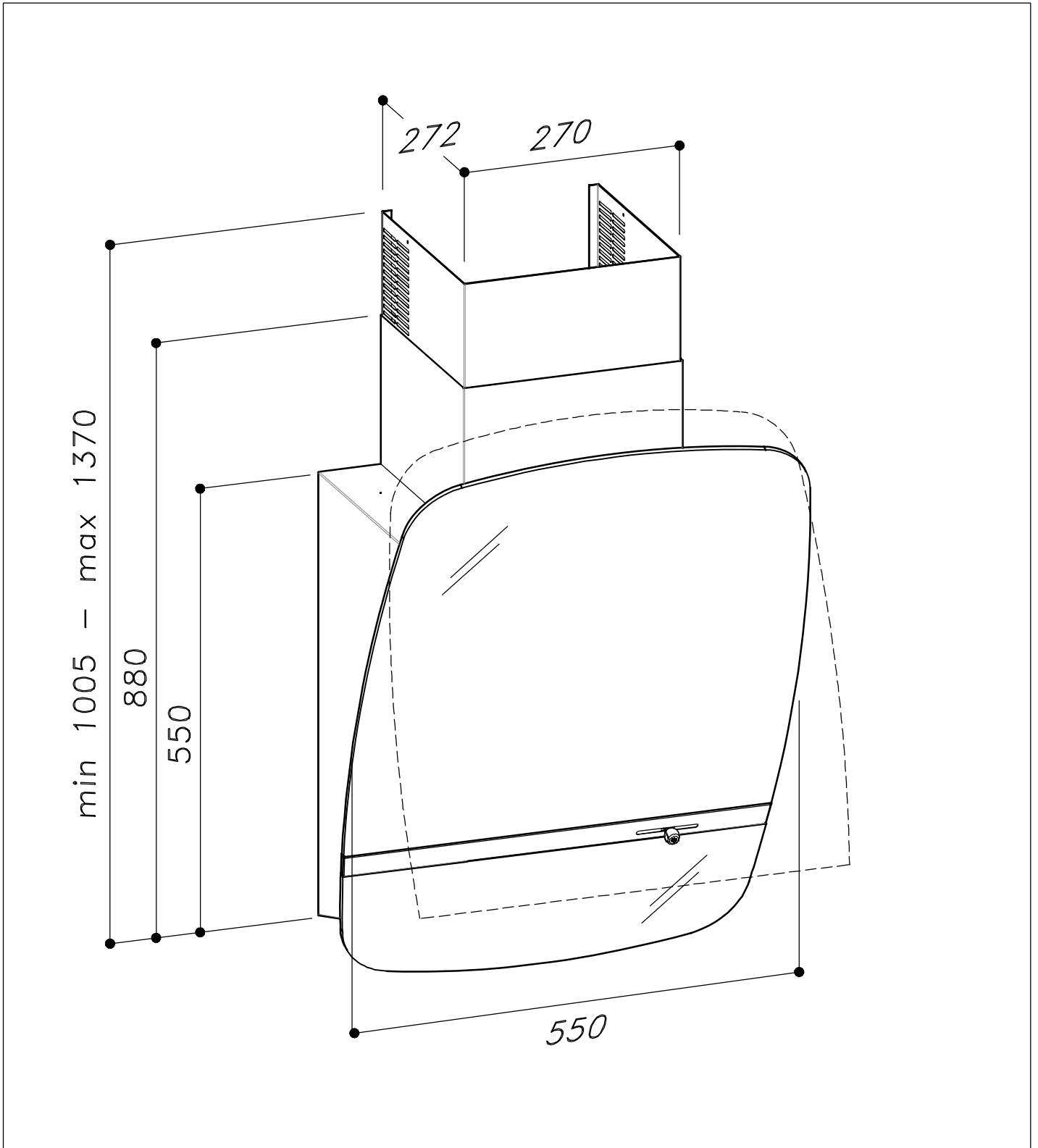


S 90



10/7/2013